

# Industrial Solenoids | Product Detail

## On/Off DC Mobile / Industrial Solenoid D12 - NG04 DC

### Standard Solenoid Specification

**Voltages:** 12VDC, 24VDC

**Power Consumption:** 20Watt, 26Watt

**Duty Cycle:** S1 100% E.D.

**Ambient Temperature:** -50°C to +50°C

**Winding Insulation:** Class H

**Electrical Connections:** ISO4400, DEUTSCH

**Pressure Rating:** 210Bar NFPA T2.6.1 R2-2000

**Vibration Resistance:** 24 Hrs, @ 20g @ 50–600Hz

**Surge Suppression Options:** Uni-DIODE, Bi-DIODE

**Mechanical Stroke:** Various Working, >5.4mm Total

**Ingress Protection:** Up To IP67, IP69K (Limited by Connector)

**Corrosion Protection:** FeZnNi8, 480Hrs ASTM B117 (Plated Surfaces)

### Other Features/Options

**Voltages:** On Request

**Power:** On Request

**Pressure Rating:** Up To 350 Bar

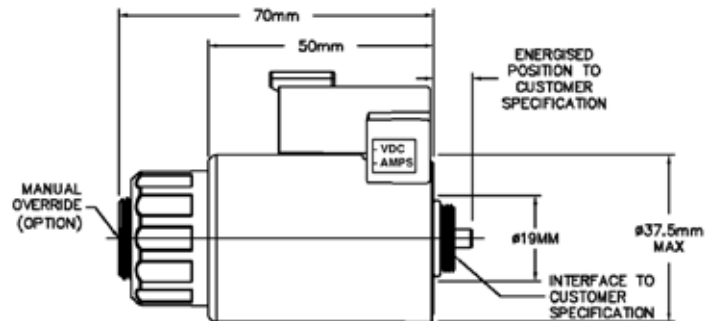
**Override Function:** With / Without

**Seal Materials:** NBR, FKM, HNBR

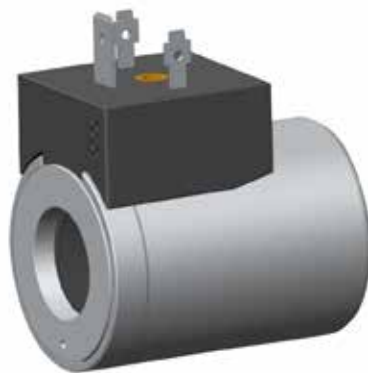
**Corrosion Protection:** FeZn, E-Coat Loose

**Push Rod:** Fixed

**Other Connectors:** On Request



ISO 4400 / DIN 43650



DEUTSCH DT04



GO TO [WWW.GWLISK.COM](http://WWW.GWLISK.COM) TO LEARN MORE ABOUT OUR CUSTOM SOLENOIDS, SOLENOID VALVES, SENSORS (LVDT) AND FLAME ARRESTOR PRODUCTS.

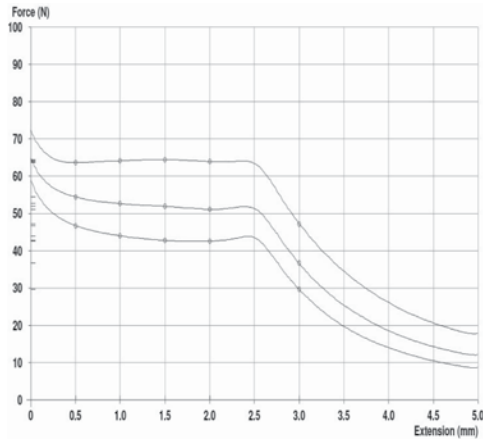
**LISK**  
Activating the World

A World Leader in Aerospace, Military and Commercial Products

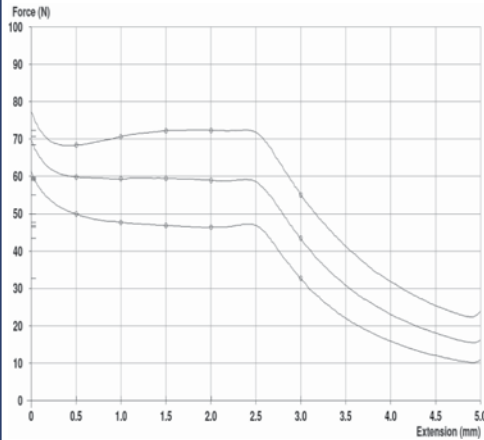
[www.gwlisk.com](http://www.gwlisk.com)

## On/Off DC Industrial Solenoid D12 - NG04 DC

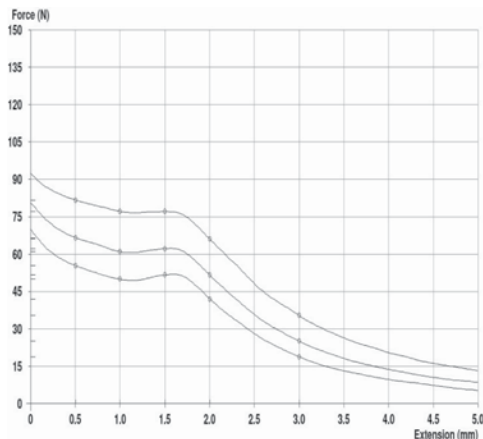
2.5mm Working Stroke, 20 Watt Coil



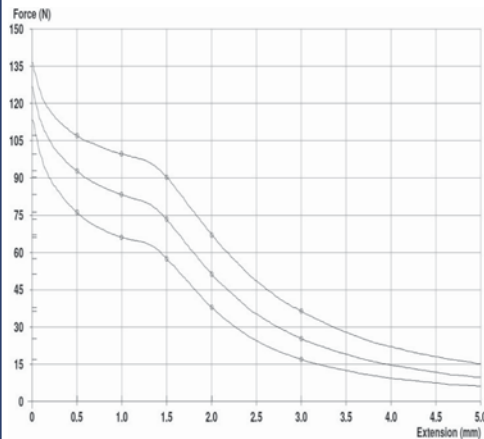
2.5mm Working Stroke, 26 Watt Coil



1.5mm Working Stroke, 20 Watt Coil



1.0mm Working Stroke, 26 Watt Coil



### Standard Solenoid Specification

Performance Curves:

- 25°C, 100%VDC
- 50°C, 90%VDC
- Hot 90%VDC (In 25°C Ambient)

## About G.W. Lisk Company

LISK is a global leader in the design and manufacture of custom solenoids, solenoid valves, LVDTs, and flame arrestors, providing custom-engineered solutions to customers in diverse markets including military, aerospace, on-highway, off-highway, and medical. We provide custom-engineered products and solutions to help customers meet demanding operational and strict environmental requirements in the following areas:

- Application Solutions
- Hardware Engineering
- Mechanical Design & Development
- Rapid Prototyping
- Qualification Testing
- Industry Certifications
- Vertical Integration (Manufacturing)
- Serial Production



**LISK**  
www.gwlist.com

### Headquarters and Manufacturing Facility

G.W. Lisk Company, Inc.  
2 South Street  
Clifton Springs, New York 14432  
USA

Phone: 315-462-2611  
Fax: 315-462-7661

E-mail: sales@gwlist.com

### European Manufacturing

Lisk Ireland Limited  
Ennis Road, Gort,  
County Galway  
Republic of Ireland

Phone: 353-91-631711  
Fax: 353-91-633011

E-mail: sales@gwlist.ie

### Asia Sales and Manufacturing

Lisk Control Technology Co., LTD  
Suzhou Industrial Park (SIP)  
No.9, Hongfeng Road  
Jiangsu, P.R. China 215021

Phone: 86-512-62990128  
Fax: 86-512-62990129

E-mail: sales@gwlist.com