

On/Off Highway | Product Detail

Compact-Metering Valve

Description

Our high speed normally closed metering valves are suitable for chemical dosing and fuel injection. Ideal for battery-less fuel injection systems on small engines, where power and space are at a premium.

Applications

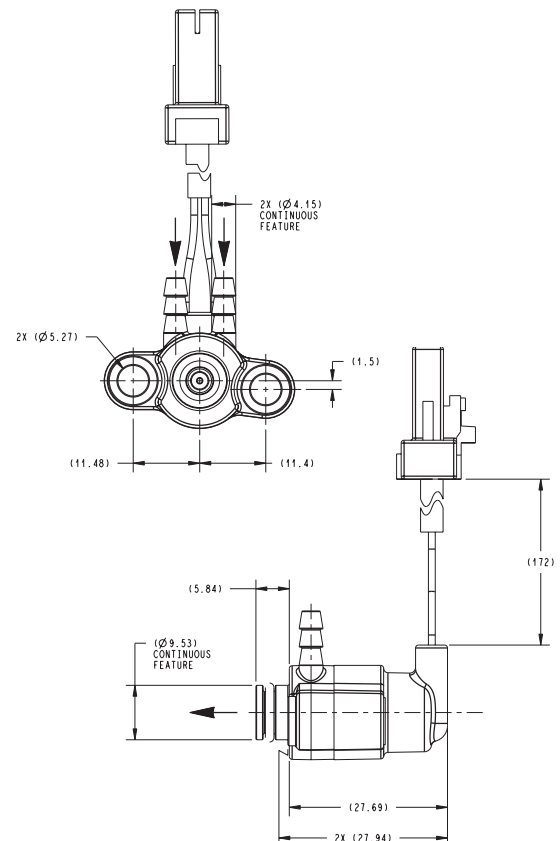
- Compact equipment
- Hand operated tools / equipment
- Personal craft (air, water, land)

Features

- Chemical resistance to gasoline / ethanol, oils, fuel oils, and other media
- Compact Design allows for easy integration into existing systems
- Lead wire lengths and connectors can be customized
- Dual inlets allow for purging of air or through-flow
- Pressure assisted seating for zero leakage
- Cycle life rated for 400M+ cycles
- Low power consumption
- Fast response time

Specifications

- **Response Time:** 0.7-0.8 millisecond open and close time for 0-100% opening 1 amp 1 millisecond peak 100-200 mA hold
- **Operating Pressure Range:** Normal operating pressure 0-3 psig, tested up to 100 psig
- **Flow Rating:** static flow 10 - 30 mL/min at 1 - 3 psid
- **Leakage Closed:** 0 drops/min greater than 1 psig
- **Operating Temperature:** -20 to 120°C



GO TO WWW.GWLISK.COM TO LEARN MORE ABOUT OUR CUSTOM SOLENOIDS, SOLENOID VALVES, SENSORS (LVDT) AND FLAME ARRESTOR PRODUCTS.



LISK provides control valve solutions for the medium and heavy duty engines of global OEM's. LISK emission control products allow medium and heavy duty diesel engine manufacturers to meet EPA, Euro, and PNLT regulations. LISK's On/Off Highway Engine Valve Groups include:

- **DPF Hydrocarbon Dosing:** Inward and outward opening poppet designs for Mid Range and Heavy Duty applications
- **EGR:** Poppet and Butterfly designs, Hydraulic Solenoid Actuated and Electric Motor Operated (with CAN control)
- **Natural Gas:** Fuel Control Valves, Fuel Shut-Off Valves, Fuel Pressure Regulators
- **Turbo:** Variable Geometry Control (VGT) & Waste Gate Control Valves

LISK uses in-house capability and collaborates closely with customers to design and activate their solutions.



About G.W. Lisk Company

LISK is a global leader in the design and manufacture of custom solenoids, solenoid valves, LVDTs, and flame arrestors, providing custom-engineered solutions to customers in diverse markets including military, aerospace, automotive, commercial, and medical. We provide custom-engineered products and solutions to help customers meet demanding operational and strict environmental requirements in the following areas:

- Application Solutions
- Hardware Engineering
- Mechanical Design & Development
- Rapid Prototyping
- Qualification Testing
- Industry Certifications
- Vertical Integration (Manufacturing)
- Serial Production

Headquarters and Manufacturing Facility

G.W. Lisk Company, Inc.
2 South Street
Clifton Springs, New York 14432
USA

Phone: 315-462-2611
Fax: 315-462-7661

E-mail: sales@gwlisk.com

European Manufacturing

Lisk Ireland Limited
Ennis Road, Gort,
County Galway
Republic of Ireland

Phone: 353-91-631711
Fax: 353-91-633011

E-mail: sales@gwlisk.ie

Asia Sales and Manufacturing

Lisk Control Technology Co., LTD
Suzhou Industrial Park (SIP)
No.9, Hongfeng Road
Jiangsu, P.R. China 215021

Phone: 86-512-62990128
Fax: 86-512-62990129

E-mail: sales@gwlisk.com