

ON/OFF HIGHWAY VALVES

COMPACT METERING VALVE | PRODUCT DETAIL

Description

Our high speed normally closed metering valves are suitable for chemical dosing and fuel injection. Ideal for battery-less fuel injection systems on small engines, where power and space are at a premium.

Applications

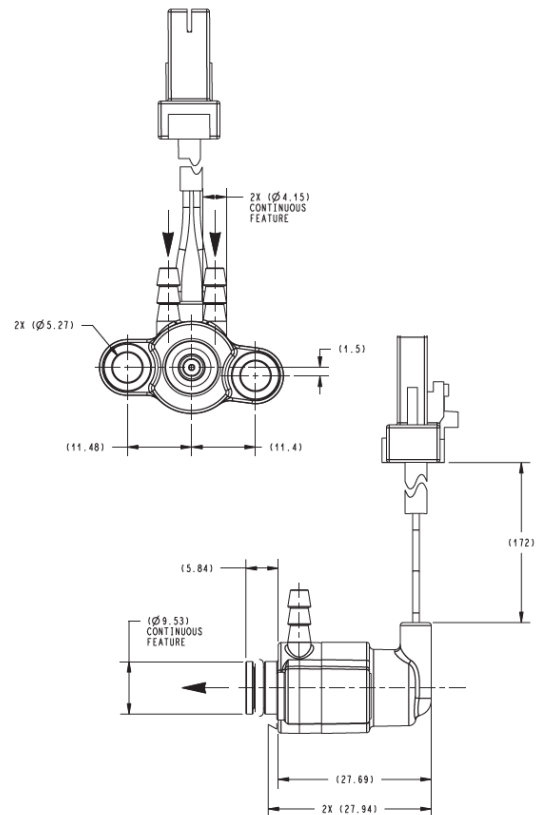
- Compact equipment
- Hand operated tools/equipment
- Personal craft (air, water, land)

Features

- Chemical resistance to gasoline/ethanol, oils, fuel oils, and other media
- Compact Design allows for easy integration into existing systems
- Lead wire lengths and connectors can be customized
- Dual inlets allow for purging of air or through-flow
- Pressure assisted seating for zero leakage
- Cycle life rated for 400M+ cycles
- Low power consumption
- Fast response time

Specifications

- **Response Time:** 0.7-0.8 millisecond open and close time for 0-100% opening 1 amp 1 millisecond peak 100-200 mA hold
- **Operating Pressure Range:** Normal operating pressure 0-3 psig, tested up to 100 psig
- **Flow Rating:** static flow 10 - 30 mL/min at 1 - 3 psid
- **Leakage Closed:** 0 drops/min greater than 1 psig
- **Operating Temperature:** -20 to 120°C





LISK provides control valve solutions for the medium and heavy duty engines of global OEM's. Our emission control products allow our medium and heavy duty diesel engine customers meet EPA, Euro, and PNLT regulations. Our On/Off Highway Engine Valve Group includes:

- **DPF Hydrocarbon Dosing:** Inward and outward opening poppet designs for Mid-Range and Heavy Duty applications
- **EGR:** Poppet and Butterfly designs, Hydraulic Solenoid Actuated and Electric Motor Operated (With CAN control)
- **Natural Gas:** Fuel Control Valves, Fuel Shut-Off Valves, Fuel Pressure Regulators
- **Turbo:** Variable Geometry Control (VGT) & Waste Gate Control Valves

ABOUT US

We are a global leader in the design and manufacture of engineered solenoids, solenoid valves, sensors, flame arrestors and intelligent integrated sub-systems. We provide engineered solutions and capabilities to hundreds of customers in diverse markets throughout the world including aerospace, defense, on highway, off highway, and oil & gas. Celebrating 110 years of unparalleled quality and commitment to our customers.

Follow Us: 