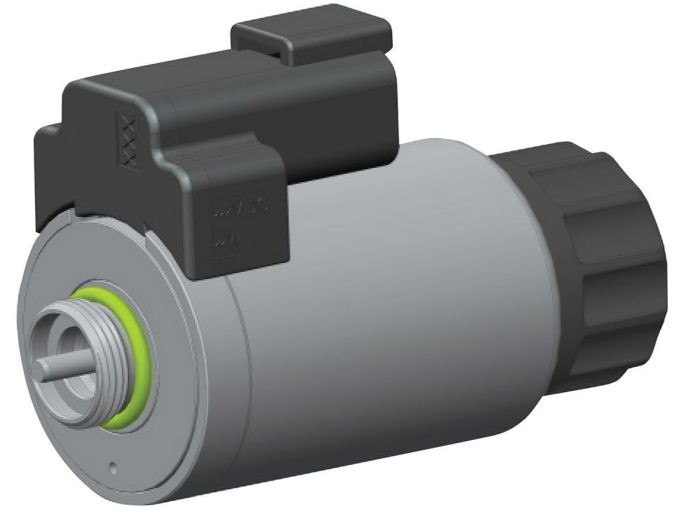


INDUSTRIAL SOLENOIDS

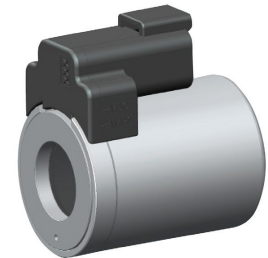
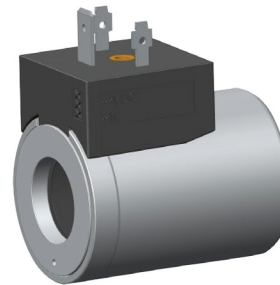
ON/OFF DC D12 - NG04 | PRODUCT DETAIL

Specification	Value
Voltages	12-24 VDC
Power Consumption	20 Watt, 26 Watt
Duty Cycle	S1 100% E.D.
Ambient Temperature	-50°C to +50°C
Winding Insulation	Class H
Electrical Connections	ISO4400, DEUTSCH
Pressure Rating	210 Bar NFPA T2.6.I R2-2000
Vibration Resistance	24 Hrs, @ 20g @ 50-600Hz
Surge Suppression Options	Uni-Diode, Bi-Diode
Mechanical Stroke	Various Working, >5.4mm Total
Ingress Protection	Up to IP67, IP69K (Limited by Connector)
Corrosion Protection	FeZnNi8, 480Hrs ASTM B117 (Plated Surfaces)

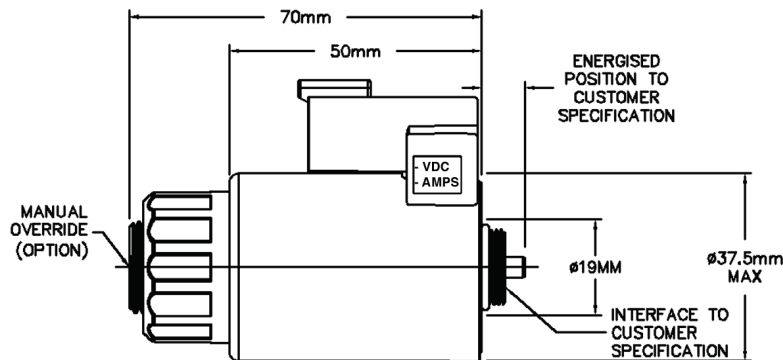


ISO 4400 / DIN 43650

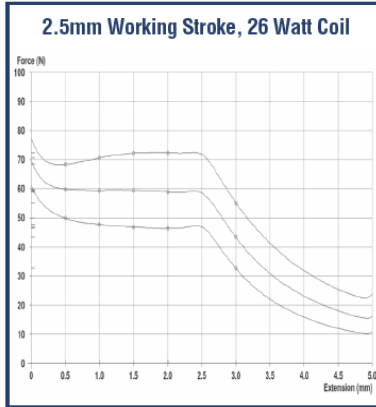
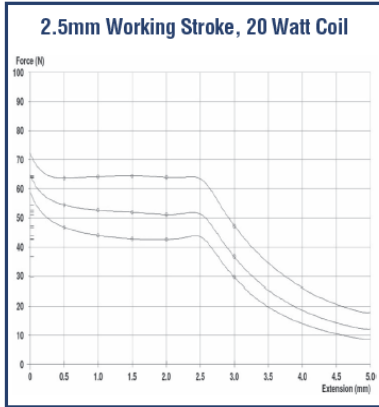
DEUTSCH DT04



Other Features/Options	
Voltages	On Request
Power	On Request
Pressure Rating	Up to 350 Bar
Override Function	With/Without
Seal Materials	NBR, FKM, HNBR
Corrosion Protection	FeZn, E-Coat Loose
Push Rod	Fixed
Other Connectors	On Request

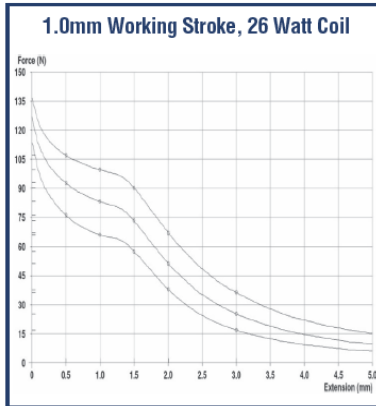
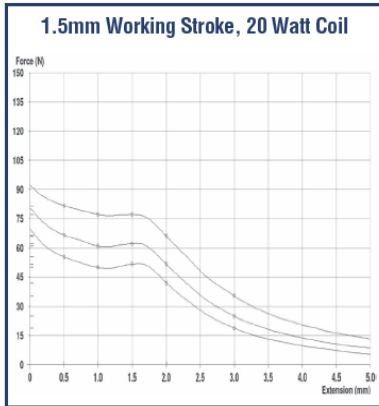


On/Off DC Industrial Solenoid D12 - NG04 DC



Standard Solenoid Specification

- Performance Curves:
- 25°C, 100%VDC
 - 50°C, 90%VDC
 - Hot 90%VDC (In 25°C Ambient)



ABOUT US

We are a global leader in the design and manufacture of engineered solenoids, solenoid valves, sensors, flame arrestors and intelligent integrated sub-systems. We provide engineered solutions and capabilities to hundreds of customers in diverse markets throughout the world including aerospace, defense, on highway, off highway, and oil & gas. Celebrating 110 years of unparalleled quality and commitment to our customers.

Follow Us: 