

# POSITION SENSOR

## TURBINE ENGINE LVDT | PRODUCT DETAIL

### Description

This LVDT sensor provides continuous position feedback for use in electrical-hydraulic closed loop systems. Alternative packaging including units with connectors, can be supplied dependent on customer requirements.

### Applications

Fuel Controls, Vane Pitch Actuators, Thrust Vectoring, Valve Position Feedback

### Features

- Higher temperature tolerance - allows LVDT to be utilized closer to hot section
- Thermal compensation not required - improved performance across temperature range
- Available in multi-channel configurations

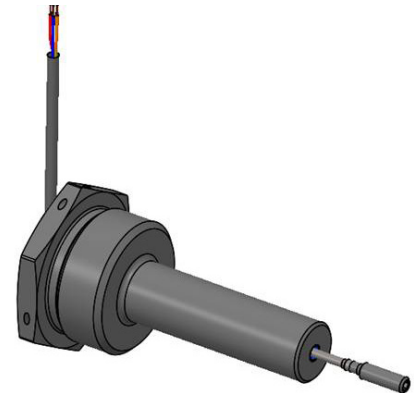
### Specifications

- Input Voltage: Typical 3-7 VAC, Frequency 2 KHz - 5 KHz
- Sensing Stroke: Various
- Accuracy:  $\pm 1.0\%$  Full Scale for Ratiometric Output
- Temperature Range:  $-65^{\circ}\text{F}$  ( $-54^{\circ}\text{C}$ ) up to  $+464^{\circ}\text{F}$  ( $+240^{\circ}\text{C}$ )
- Pressure Rating: 3,200 PSI (220 Bar) Burst as Shown, Other Available

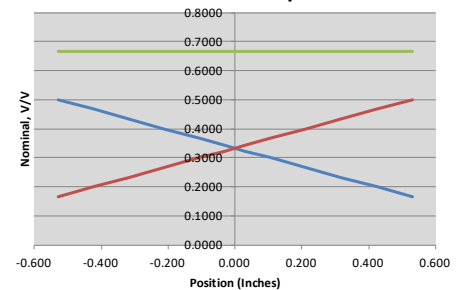
### Testing

- Pressure: Proof: 2,200 PSI at  $464^{\circ}\text{F}$  (Burst: 2,900 PSI at  $464^{\circ}\text{F}$ )
- Vibration: MIL-STD-810C & RTCA DO-160
- Frequency Sweeps: Performed from 5 to 3000 Hz for a Total of 15 Hours on Each Axis

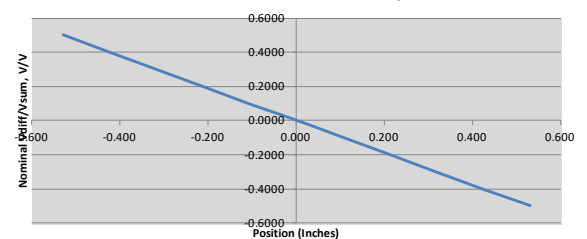
RCTA/DO 160G	Section	Category
Shock	7	B - with a level of 20 g for an 11 msec pulse
Explosion Proof	9	E
Humidity	6	C
Sand & Dust	12	D
Waterproof	10	R
Salt Spray	14	S
Fungus	13	F



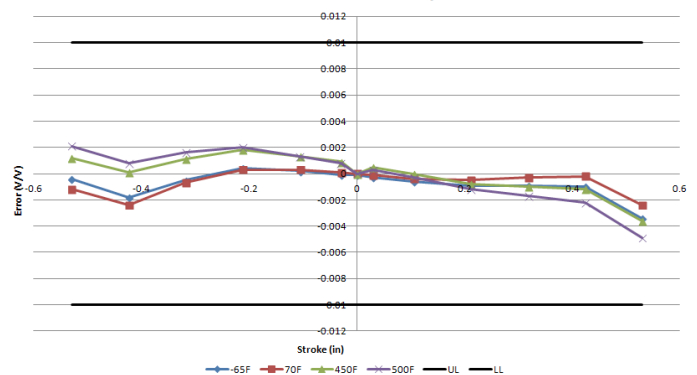
Nominal Output



Nominal Ratiometric Output



Ratiometric Error Over Temperature





LISK engineered LVDTs (Linear Variable Differential Transformer) are found in aerospace, heavy-duty engines, refineries and mining equipment, offering extremely reliable position feedback sensing. Features include:

- Strokes of .010" to 24" and beyond with accuracy better than 0.5% of full scale range
- Single channel and multi-channel (up to 6 channels) LVDT designs
- AC and DC inputs and outputs
- Can accommodate high pressures and wide temperature extremes
- Part count can be reduced by using customer interfaces and mountings to match any application.

---

## ABOUT US

We are a global leader in the design and manufacture of engineered solenoids, solenoid valves, sensors, flame arrestors and intelligent integrated sub-systems. We provide engineered solutions and capabilities to hundreds of customers in diverse markets throughout the world including aerospace, defense, on highway, off highway, and oil & gas. Celebrating 110 years of unparalleled quality and commitment to our customers.

Follow Us: 